



ICON-BT

Configuration kit for remote configuration and monitoring



ICON-BT is a Bluetooth® modem for wireless communication between smartphones/tablets and INOR temperature transmitters. Together with the app INOR Connect, you can configure and monitor the transmitter while it is still mounted in the process. Simply plug in your ICON-BT to the USB connector on the transmitter and connect with your portable device. Thanks to the extended range that Bluetooth offers you can communicate with the transmitter remotely.

- Communication via Bluetooth®
- Great tool for service and maintenance
- Optimised for work on the field
- Small form factor of ICON-BT modem
- Live monitoring and diagnostics

Specifications:

Ambient temperature operating	-20... +50 °C / - 4...+122 °F.
Bluetooth	BLE 4.2
Size	71 x 28 x 24 mm
Weight	50 gram including batteries
DID	D038134
Included in the kit	ICON-BT USB-Cable Batteries Quick guide

Download Inor Connect

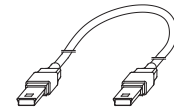
App Store



Google Play Store

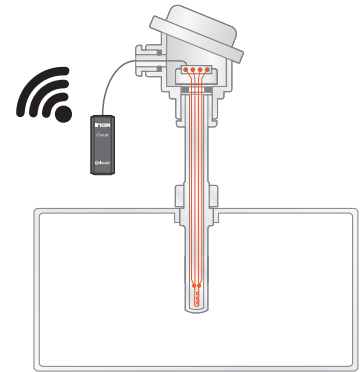


Connection cable

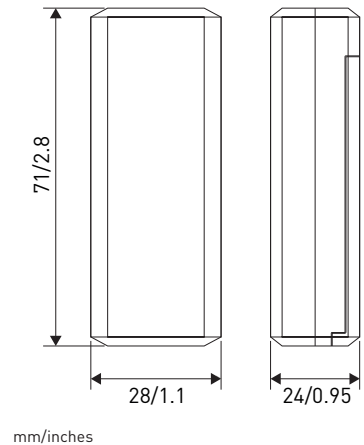


USB Mini-B
From Bluetooth modem
to transmitter

Installation



Dimensions



Ordering information

ICON-BT Kit

70CFGBT001